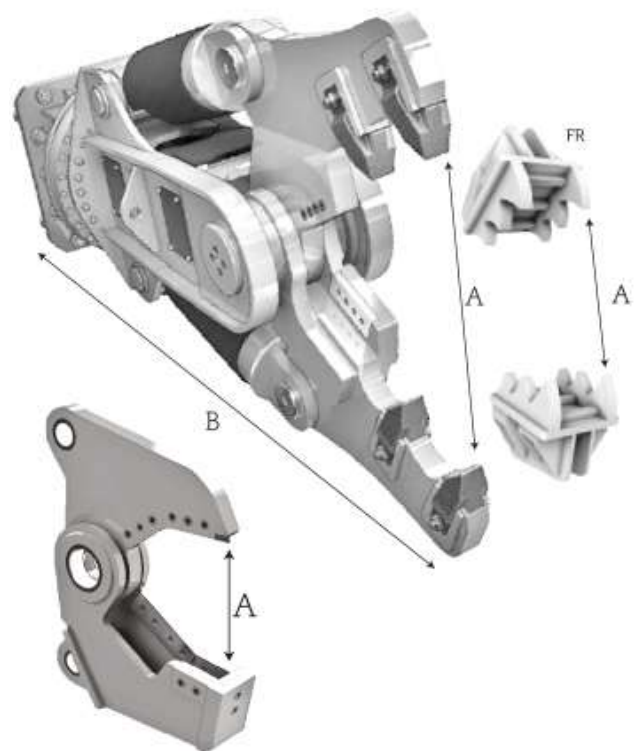


# CP1510

CP series

## TECHNICAL SPECIFICATIONS

Working weight	1500 Kg
Excavator weight	15/22 ton
Cylinder force	76 t
Cylinders working pressure	320 bar
Cylinder oil flow	100/180 l/min
Rotation engine pressure	100 bar
Rotation oil flow (Min/Max)	10/12 l/min
Max jaws opening (A) PR	720 mm
Max jaws opening (A) SC	400 mm
Max jaws opening (A) FR	--
FR Kit (to be mounted on PR jaws)	664 mm
Total height (B)	1800 mm
Rotation 360°	hydraulic



## Cutting Data profile SC Jaws

